

**+DIA-SR30**  
Set-Collar

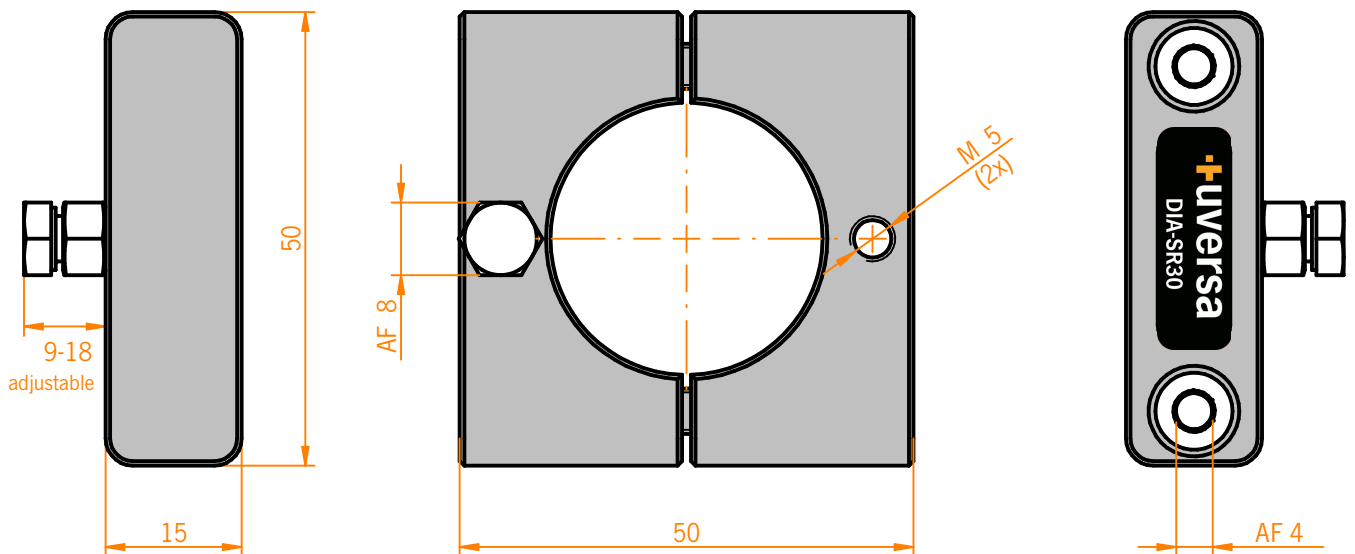


**TECHNICAL DETAILS**

<b>Material</b>	Aluminium (ground)
<b>Surface</b>	● black, ● red, ● blue, ● green ● gold, ● ESD
<b>Positional Tolerance Fitting Bores</b>	± 0,01 mm
<b>Positional Tolerance Bores</b>	± 0,1 mm

**MODULE DESCRIPTION**

Accurate set-up of heights, in order to ensure precise attachment of mono or dual modules or other elements to the intended position.



Customized items are available upon request.