

+DIA-SR50
Set-Collar

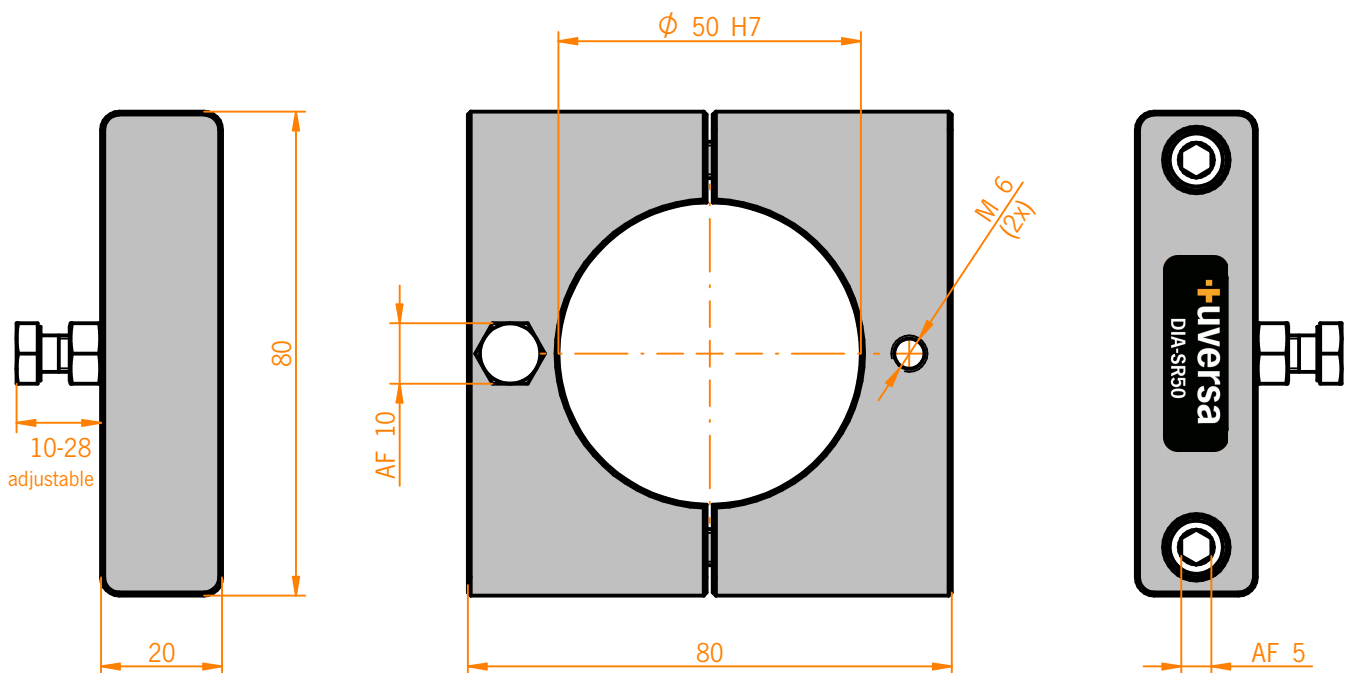


TECHNICAL DETAILS

Material	Aluminium (ground)
Surface	● black, ● red, ● blue, ● green ● gold, ● ESD
Positional Tolerance	± 0,01 mm
Fitting Bores	
Positional Tolerance	± 0,1 mm
Bores	

MODULE DESCRIPTION

Accurate set-up of heights, in order to ensure precise attachment of mono or dual modules or other elements to the intended position.



Customized items are available upon request.