

**EVO-DM20**  
Dual-Module

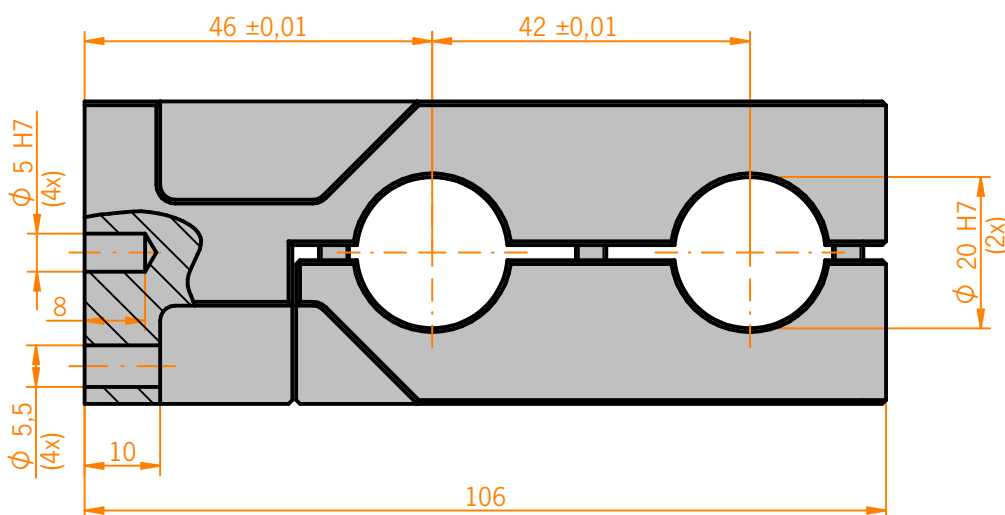
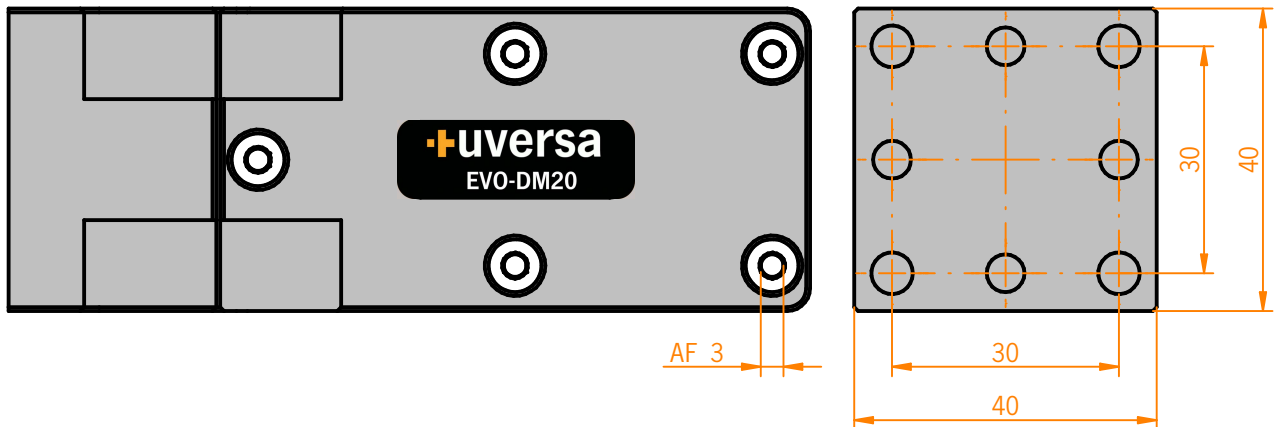


**TECHNICAL DETAILS**

<b>Material</b>	Aluminium (ground)
<b>Surface</b>	● black, ● red, ● blue, ● green ● gold, ● ESD
<b>Positional Tolerance Fitting Bores</b>	± 0,01 mm
<b>Positional Tolerance Bores</b>	± 0,1 mm

**MODULE DESCRIPTION**

Module with fitting and mounting bores for precise attachment of components in position. The two-piece structure enables the element quickly to be mounted to a two-column system also at a later date.



Customized items are available upon request.