

**PEX-DS20**  
Dual-Pedestal

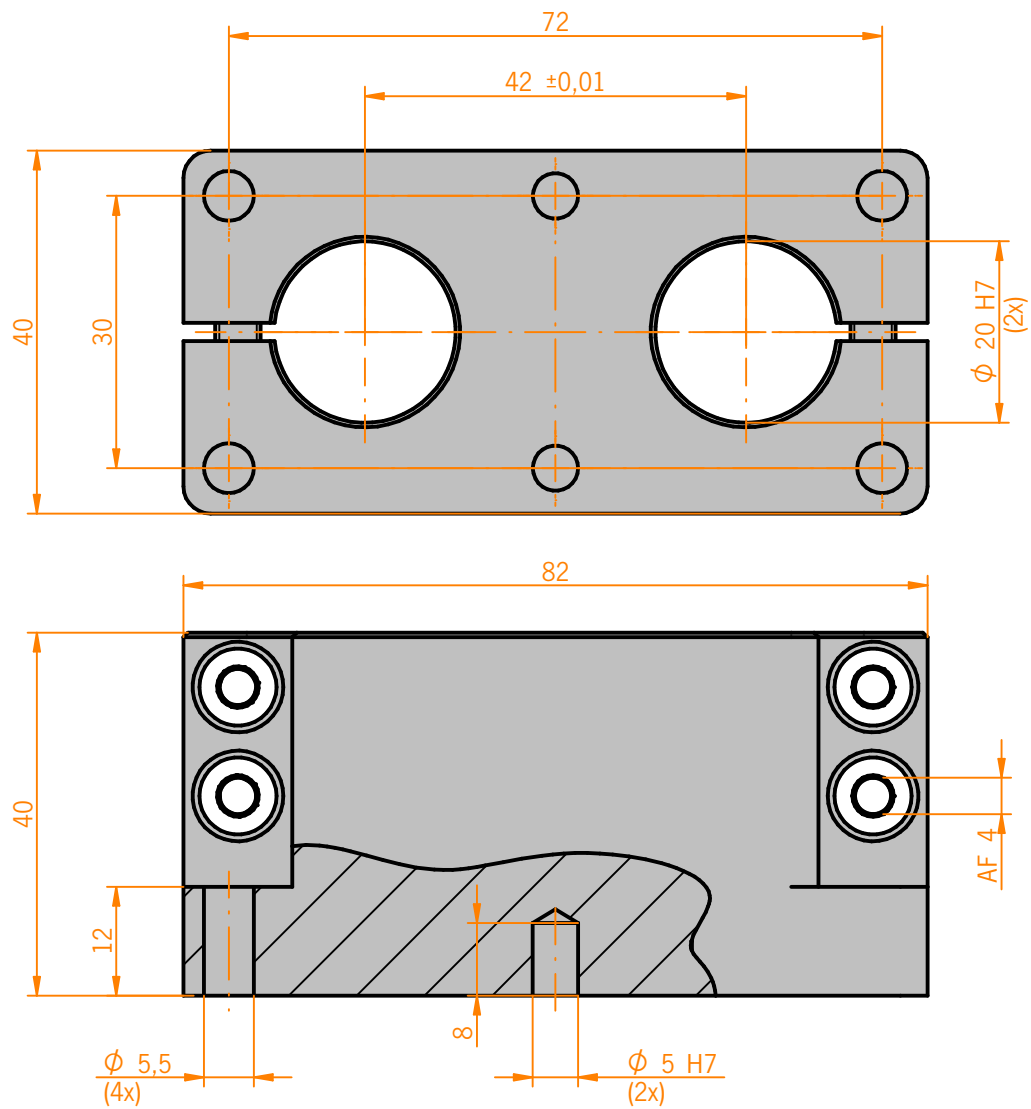


**TECHNICAL DETAILS**

<b>Material</b>	Aluminium (ground)
<b>Surface</b>	● black, ● red, ● blue, ● green ● gold, ● ESD
<b>Positional Tolerance Fitting Bores</b>	± 0,01 mm
<b>Positional Tolerance Bores</b>	± 0,1 mm

**MODULE DESCRIPTION**

Pedestal with fitting and mounting bores, acting as receptacle for two columns. The item may be attached on working surfaces or integrated in assemblies.



Customized items are available upon request.