

PEX-MS30

Mono-Pedestal

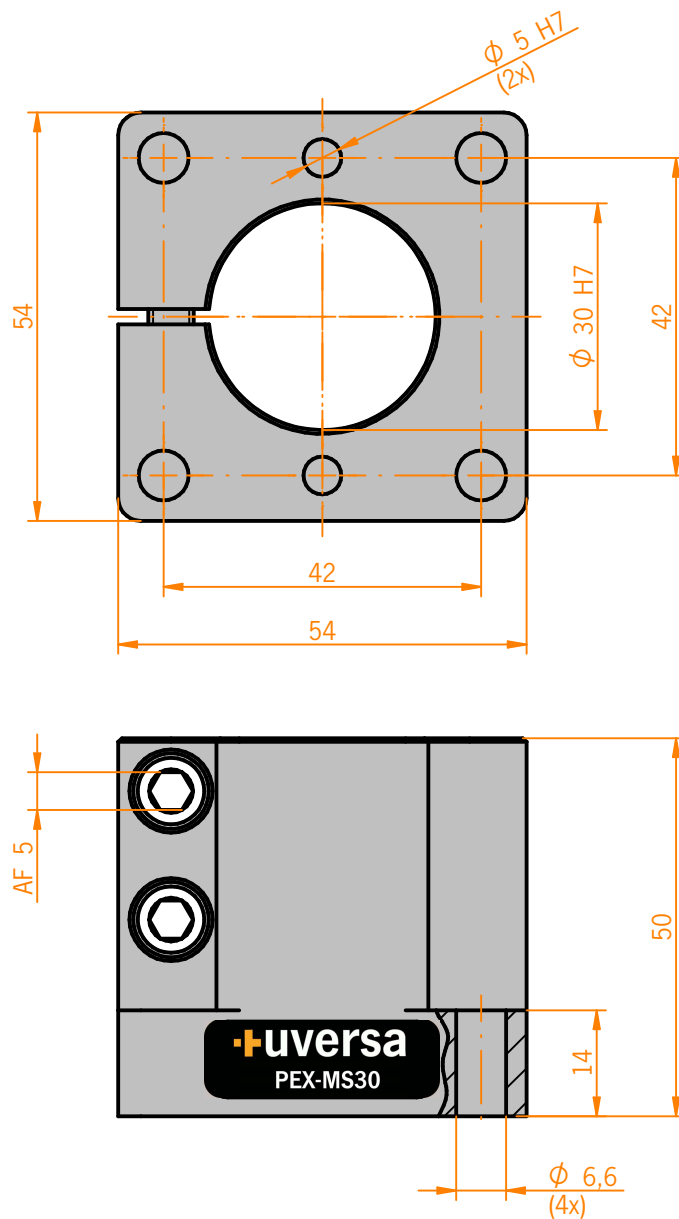


TECHNICAL DETAILS

Material	Aluminium (ground)
Surface	● black, ● red, ● blue, ● green ● gold, ● ESD
Positional Tolerance	± 0,01 mm
Fitting Bores	
Positional Tolerance	± 0,1 mm
Bores	

MODULE DESCRIPTION

Pedestal with fitting and mounting bores, acting as receptacle for one column. The item may be attached on working surfaces or integrated in assemblies.



Customized items are available upon request.