

VARO-JM20

Adjusting Module



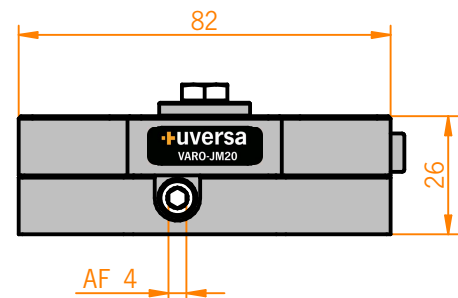
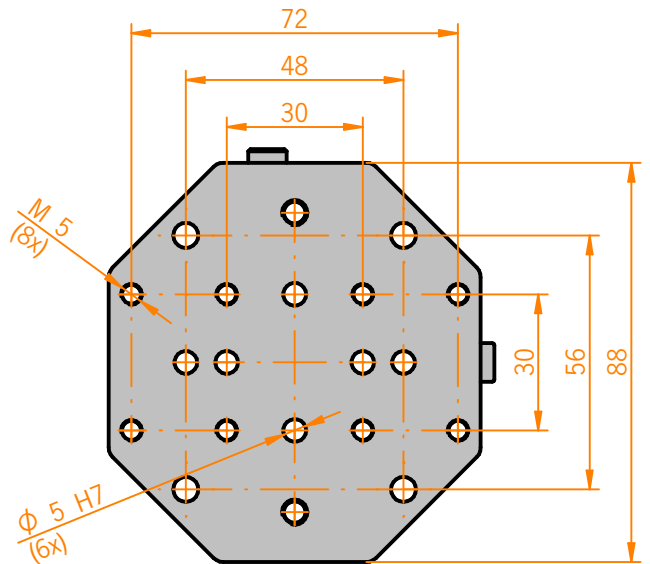
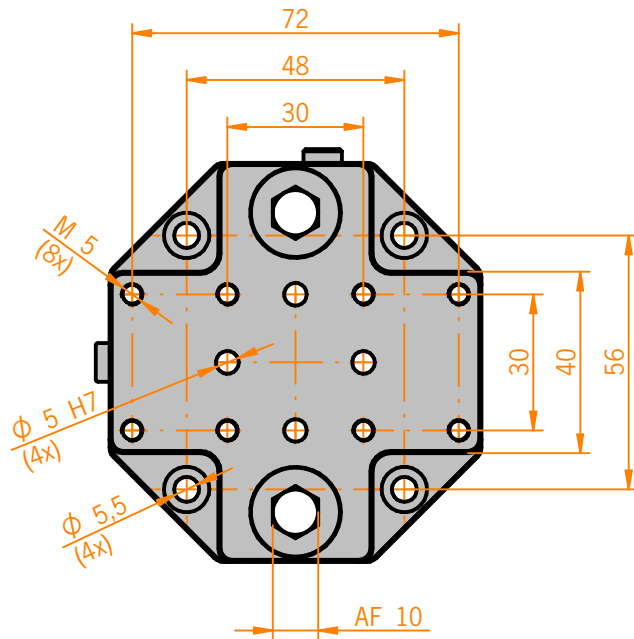
Travel in X and Y ±3 mm

TECHNICAL DETAILS

Material	Aluminium (ground)
Surface	● black, ● red, ● blue, ● green ● gold, ● ESD
Positional Tolerance	± 0,01 mm
Fitting Bores	
Positional Tolerance	± 0,1 mm
Bores	
Carriage Guide	Greased (DIN EN 51825 KP2K-30)

MODULE DESCRIPTION

Module for exact adjustment of elements in the xy plane. This way, it is possible to compensate for manufacturing tolerances in the mechanical structure. The element may be attached on working surfaces or integrated in assemblies. Suitable for mono and dual pedestals.



Customized items are available upon request.