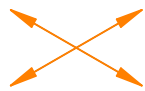
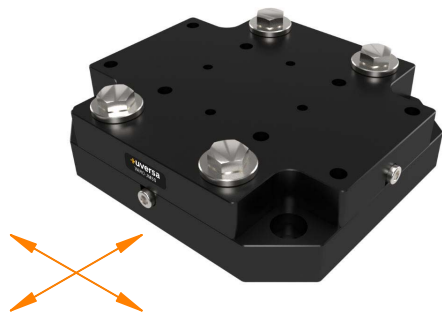


# VARO-JM50

## Adjusting Module



Travel in X and Y  $\pm 3$  mm

### TECHNICAL DETAILS

**Material** Aluminium (ground)

**Surface** ● black, ● red, ● blue, ● green, ● gold, ● ESD

**Positional Tolerance**  $\pm 0,01$  mm

**Fitting Bores**

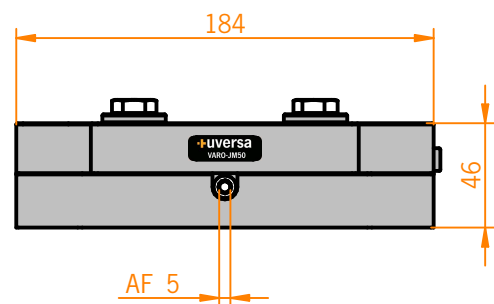
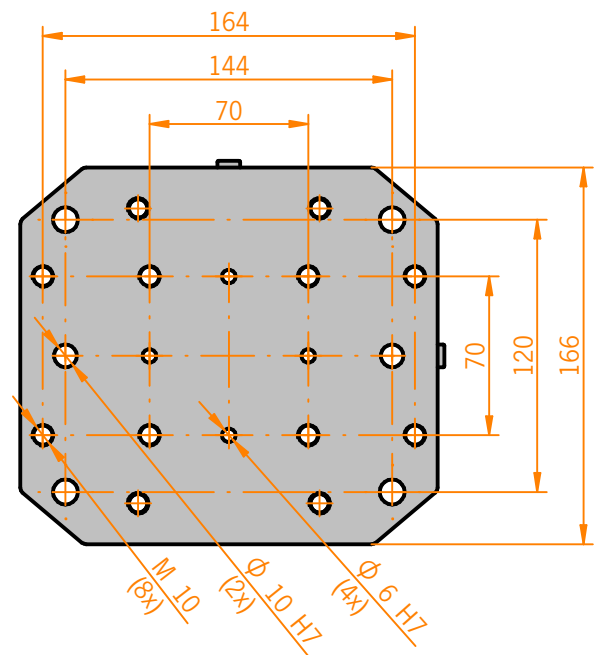
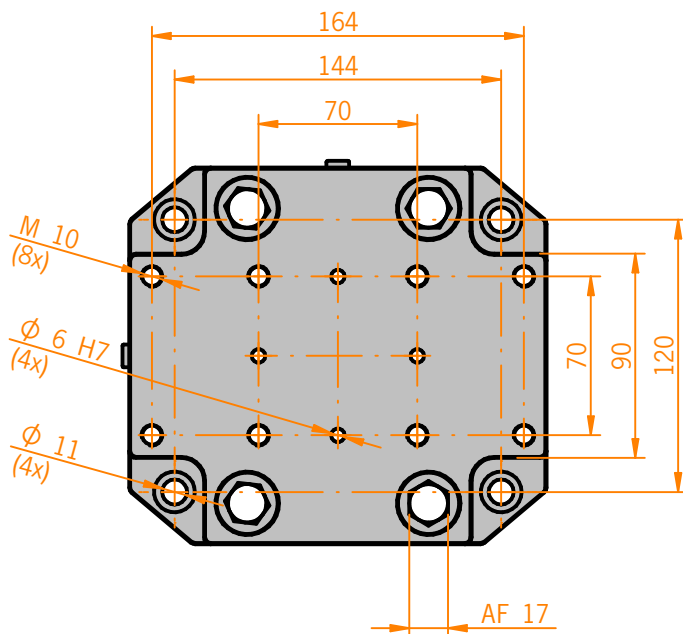
**Positional Tolerance**  $\pm 0,1$  mm

**Bores**

**Carriage Guide** Greased (DIN EN 51825 KP2K-30)

### MODULE DESCRIPTION

Module for exact adjustment of elements in the xy plane. This way, it is possible to compensate for manufacturing tolerances in the mechanical structure. The element may be attached on working surfaces or integrated in assemblies. Suitable for mono and dual pedestals.



Customized items are available upon request.