

SENO-BSK12

Belt Pedestal Short



TECHNICAL DETAILS

Material Aluminium (ground)

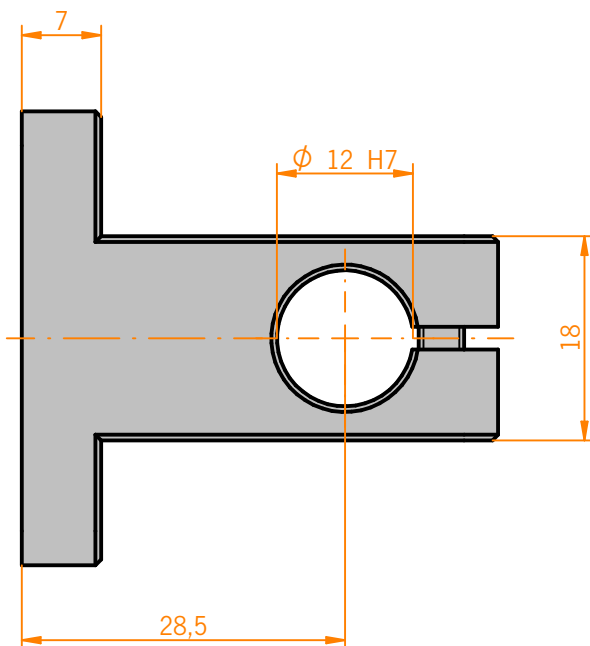
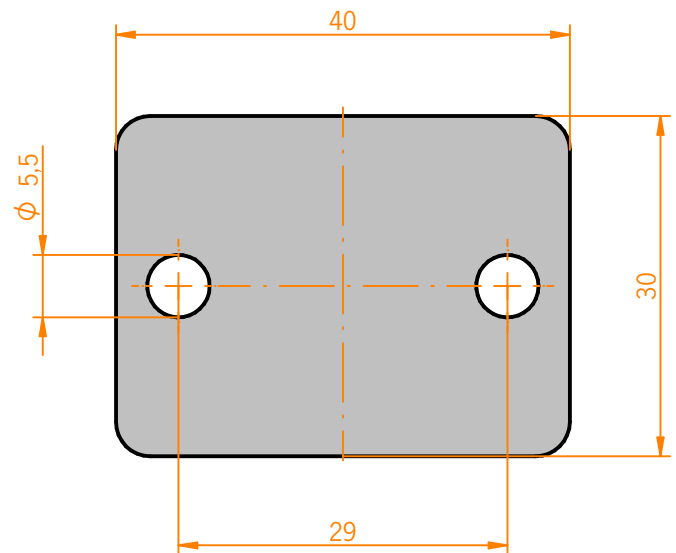
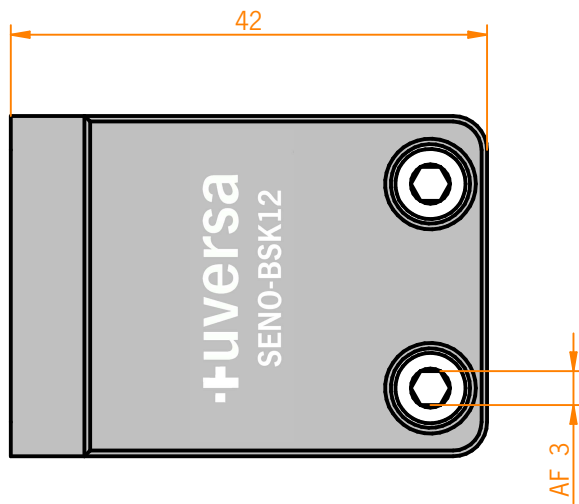
Surface Anodized ● black

Positional Tolerance ± 0,1 mm

Bores

MODULE DESCRIPTION

Pedestal with mounting bore as receptacle for one column, can be attached to belt systems or integrated in assemblies.



Customized items are available upon request.