

# SENO-BSK8

## Belt Pedestal Short



### TECHNICAL DETAILS

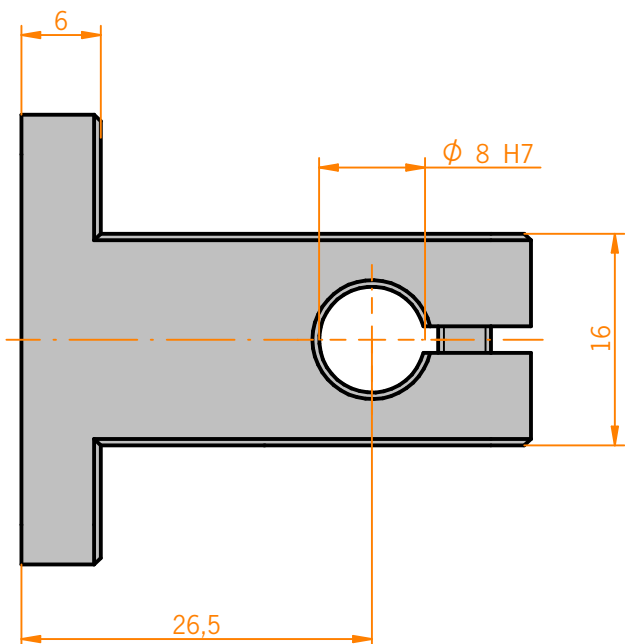
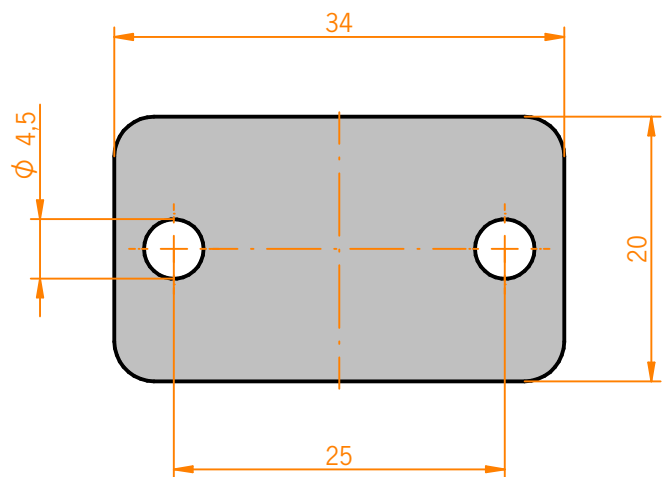
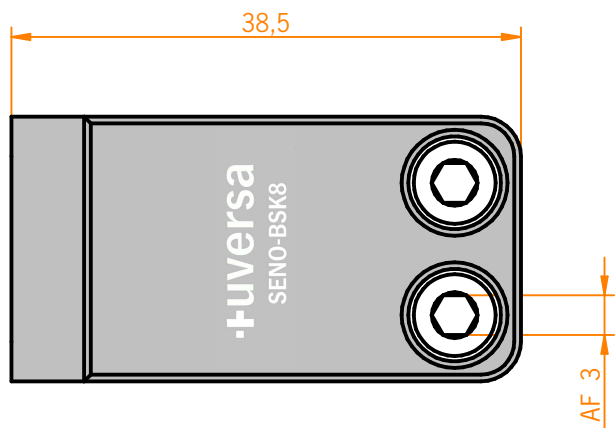
**Material** Aluminium (ground)

**Surface Anodized** ● black

**Positional Tolerance** ± 0,1 mm  
Bores

### MODULE DESCRIPTION

Pedestal with mounting bore as receptacle for one column, can be attached to belt systems or integrated in assemblies.



Customized items are available upon request.