

# SENO-GP8

## Detector Holder Parallel



### TECHNICAL DETAILS

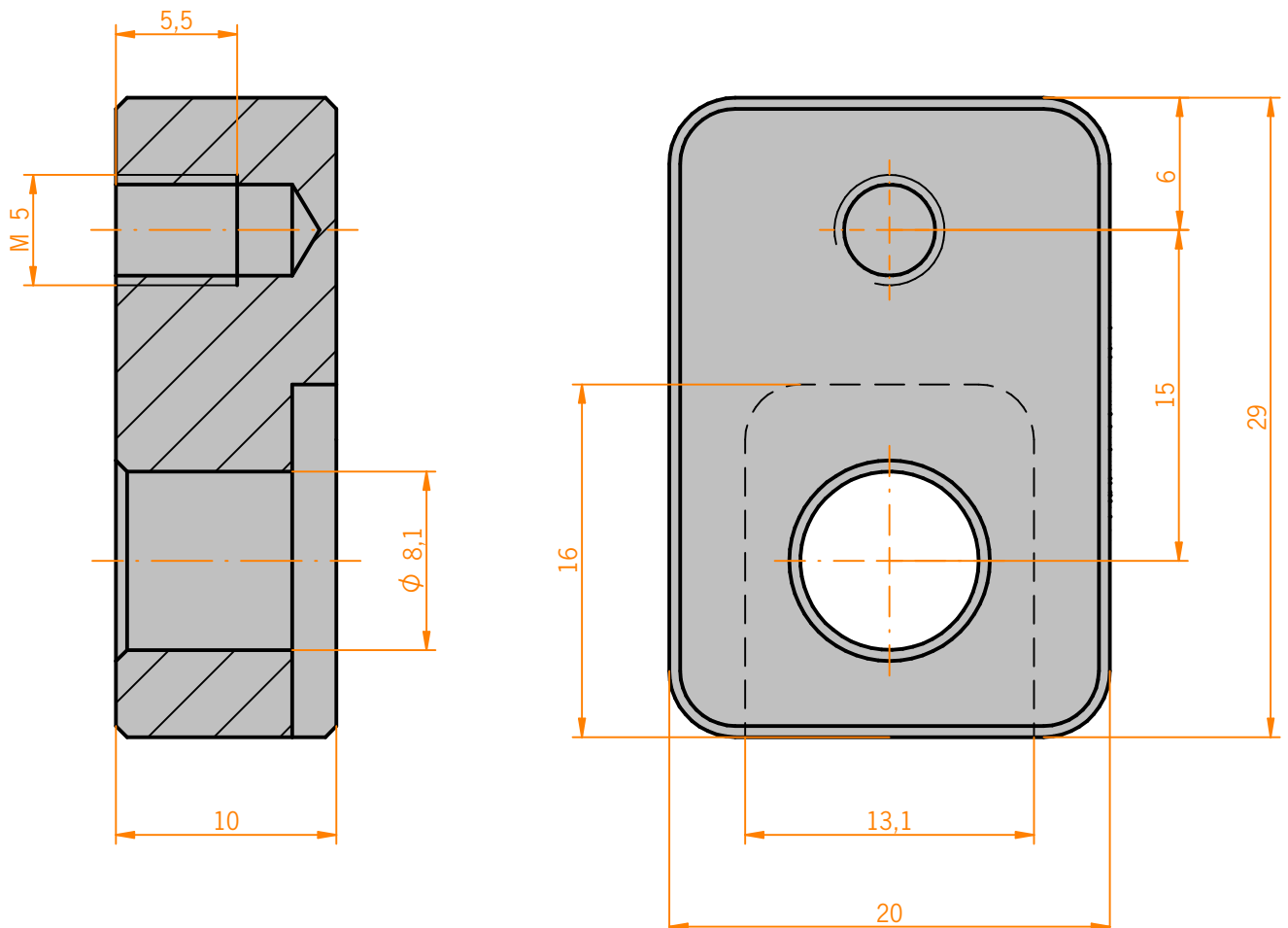
**Material** Aluminium (ground)

**Surface Anodized** ● black

**Positional Tolerance** ± 0,1 mm  
**Bores**

### MODULE DESCRIPTION

This module firmly holds in place sensors with a diameter of 8 respectively 12 mm, in parallel to sensor shafts SENO-SW8 and SENO-SW12.



Customized items are available upon request.