

SENO-GS8

Detector Holder Vertical



TECHNICAL DETAILS

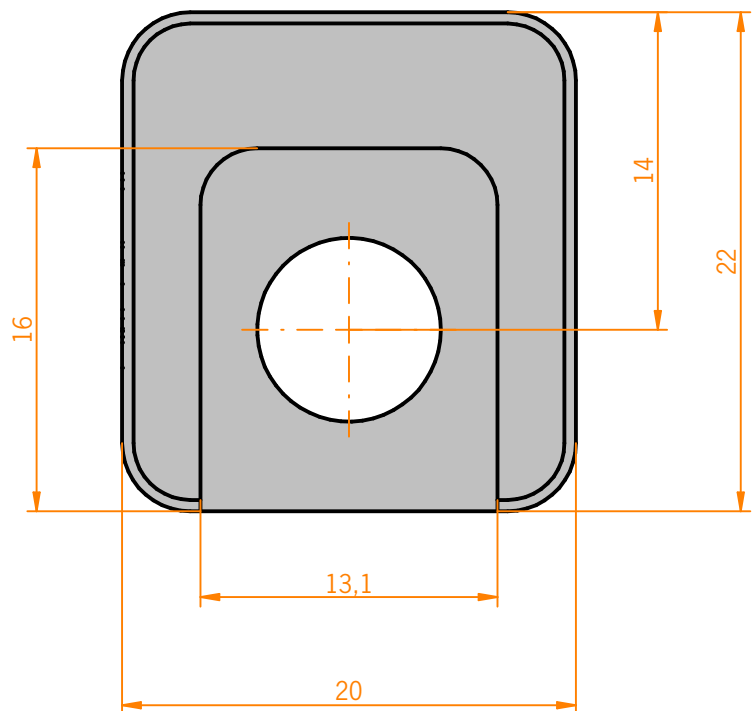
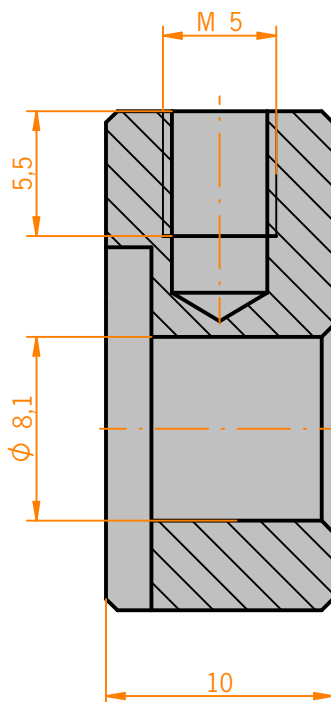
Material Aluminium (ground)

Surface Anodized ● black

Positional Tolerance ± 0,1 mm
Bores

MODULE DESCRIPTION

This module firmly holds in place sensors with a diameter of 8 respectively 12 mm, perpendicularly to sensor shafts SENO-SW8 and SENO-SW12.



Customized items are available upon request.