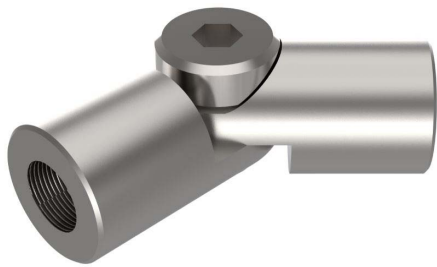


SENO-GV8

Hinged Connector



TECHNICAL DETAILS

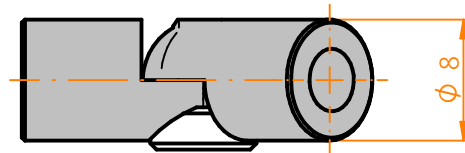
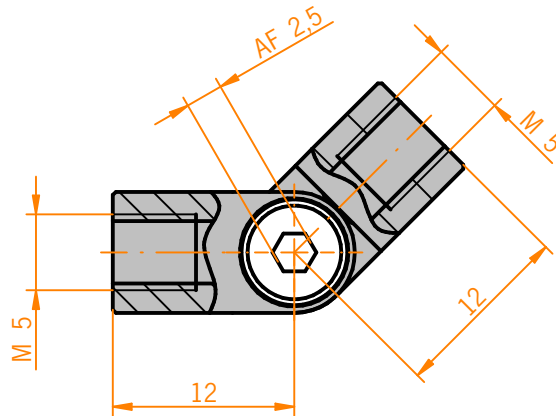
Material Stainless Steel (1.4305)

Positional Tolerance $\pm 0,1$ mm
Bores



MODULE DESCRIPTION

By means of the intermediate hinge, two columns can be mutually oriented in any angle of up to $\pm 90^\circ$, infinitely variable.



Customized items are available upon request.