

+SENO-KV12-20
Cross Connector



TECHNICAL DETAILS

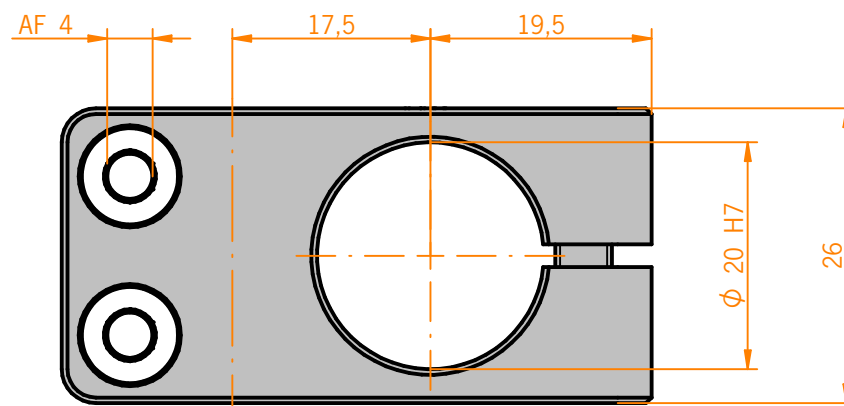
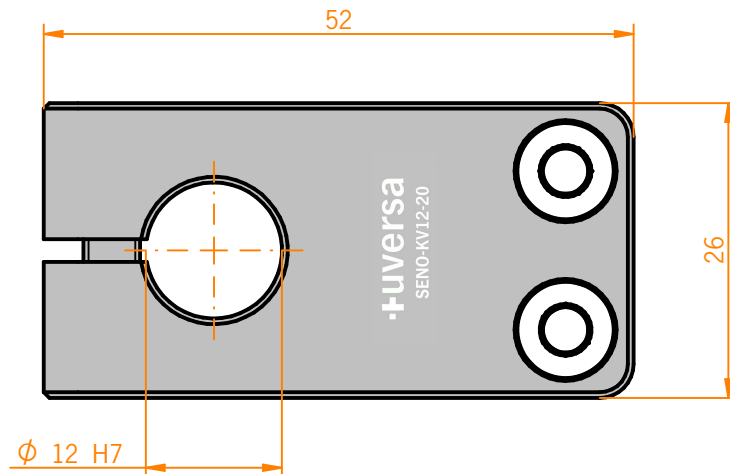
Material Aluminium (ground)

Surface Anodized ● black

Positional Tolerance ± 0,1 mm
Bores

MODULE DESCRIPTION

Module to be used as receptacle for two different columns, mutually oriented in an angle of 90°. This element enables the column structure to be extended in a right angle.



Customized items are available upon request.