

**+SENO-KV20-30**  
Cross Connector



**TECHNICAL DETAILS**

**Material** Aluminium (ground)

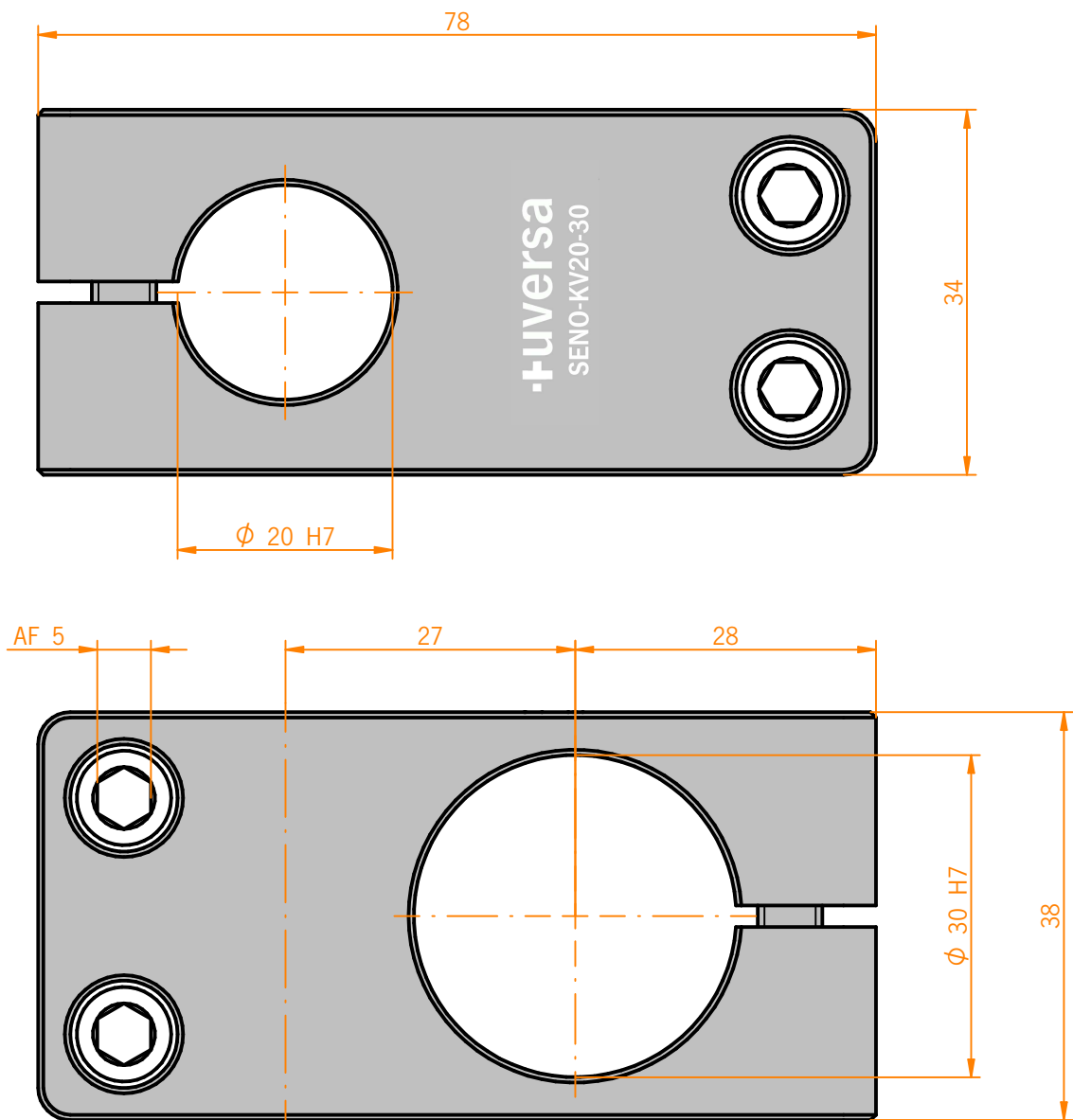
**Surface Anodized** ● black

**Positional Tolerance** ± 0,1 mm

**Bores**

**MODULE DESCRIPTION**

Module to be used as receptacle for two different columns, mutually oriented in an angle of 90°. This element enables the column structure to be extended in a right angle.



Customized items are available upon request.