

# **SENO-KV8-12**

## Cross Connector



### TECHNICAL DETAILS

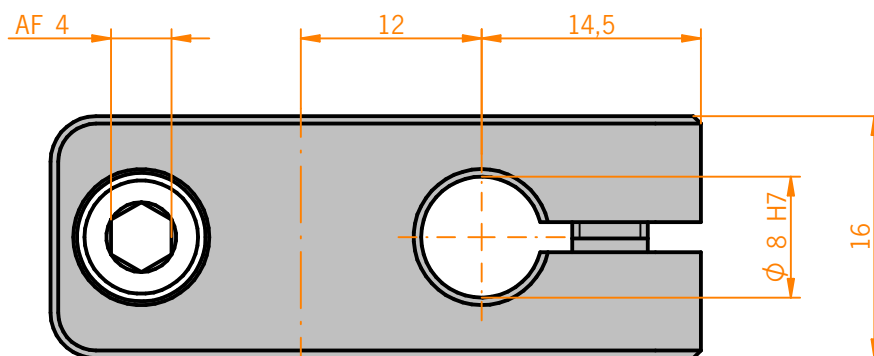
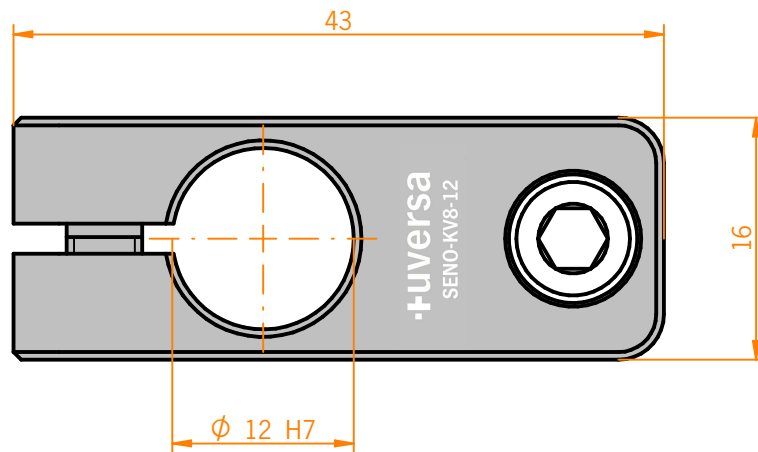
**Material** Aluminium (ground)

**Surface Anodized** ● black

**Positional Tolerance** ± 0,1 mm  
**Bores**

### MODULE DESCRIPTION

Module to be used as receptacle for two different columns, mutually oriented in an angle of 90°. This element enables the column structure to be extended in a right angle.



Customized items are available upon request.