

# **+SENO-RV8-12** Rotatable Connector



## TECHNICAL DETAILS

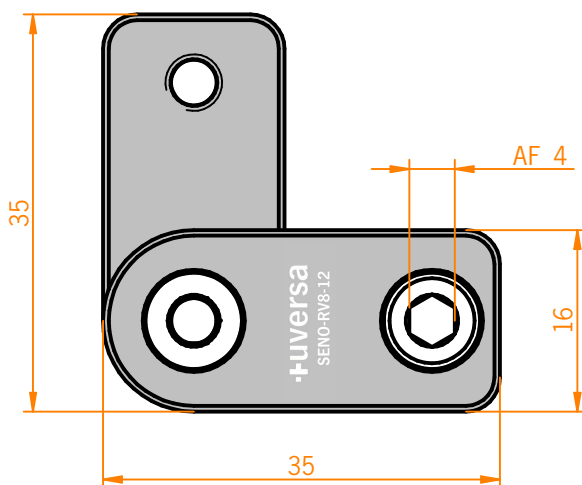
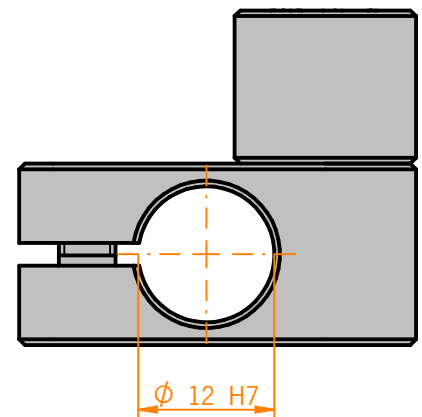
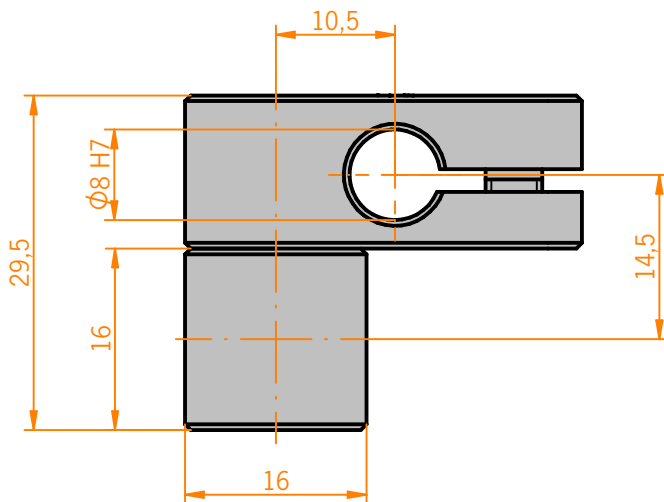
**Material** Aluminium (ground)

**Surface Anodized** ● black

**Positional Tolerance** ± 0,1 mm  
**Bores**

## MODULE DESCRIPTION

Module to be used as receptacle for two different columns. This element enables the column structure to be extended in any angle.



Customized items are available upon request.