

+SENO-RV8-8
Rotatable Connector



TECHNICAL DETAILS

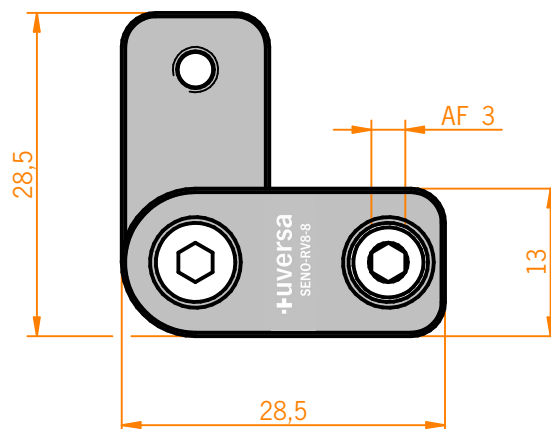
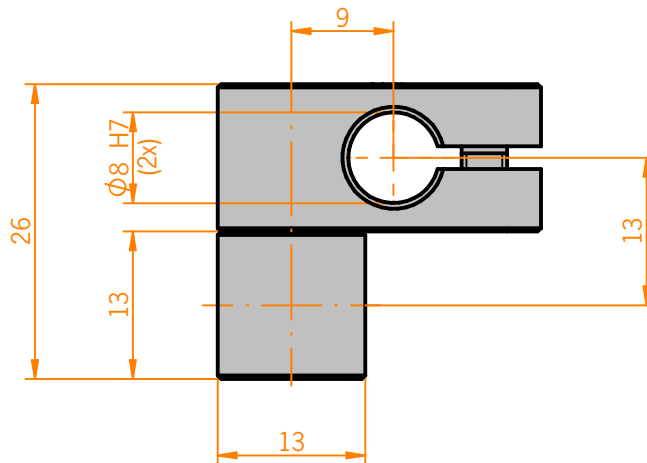
Material Aluminium (ground)

Surface Anodized ● black

Positional Tolerance ± 0,1 mm
Bores

MODULE DESCRIPTION

Module to be used as receptacle for two columns of identical size. This element enables the column structure to be extended in any angle.



Customized items are available upon request.