

SENO-SF8
Sensor Foot



TECHNICAL DETAILS

Material Aluminium (ground)

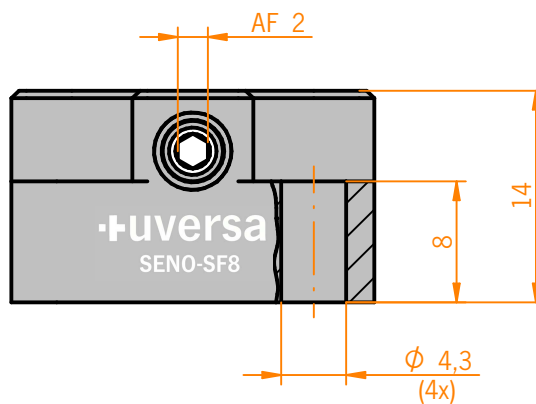
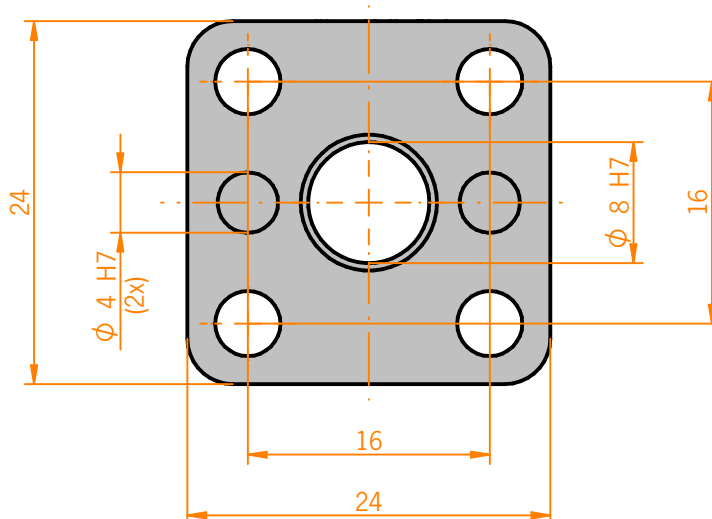
Surface Anodized ● black

Positional Tolerance ± 0,1 mm

Bores

MODULE DESCRIPTION

Base with fitting and mounting bores, used as pedestal for one column. Can be mounted on working surfaces or integrated in assemblies.



Customized items are available upon request.