

SENO-SW12

Sensor Shaft

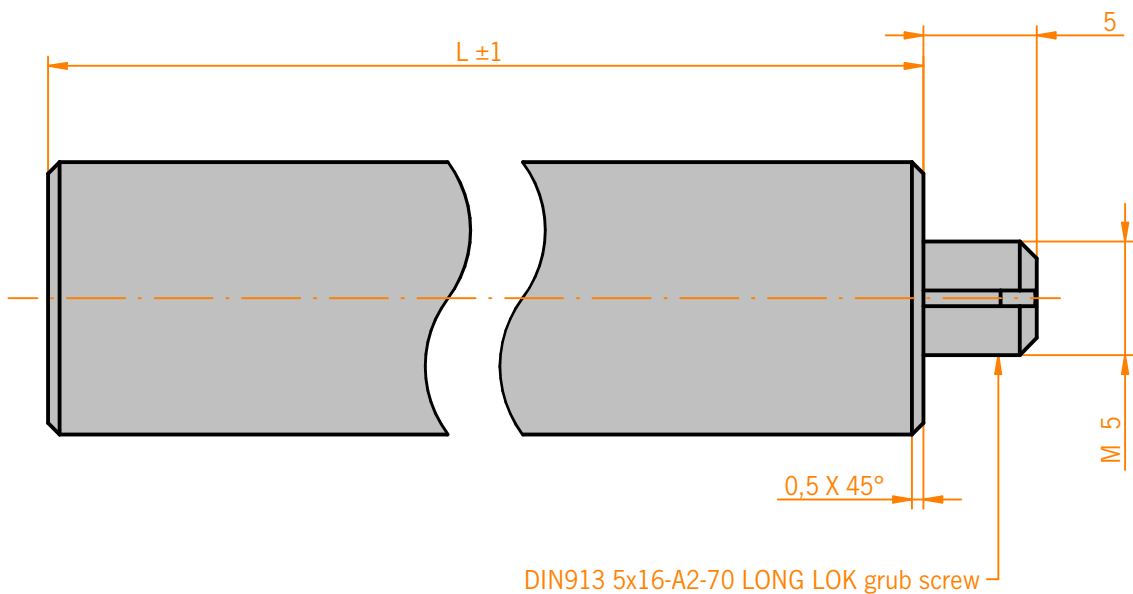
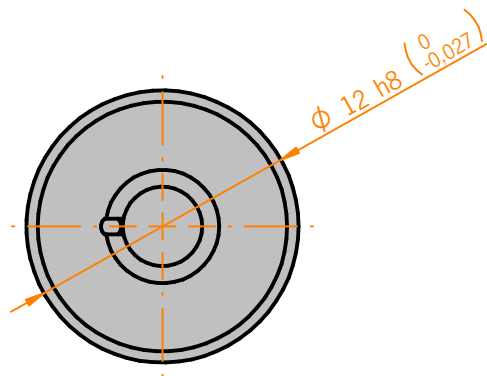


TECHNICAL DETAILS

Weight	900g/m
Material	Stainless Steel (1.4305)
Surface	Ends turned on a lathe, chamfered

MODULE DESCRIPTION

Ground column made of special steel, for structures in the zone of sensor elements and connection to modules.



Customized items are available upon request.