

SENO-TV8 Tee Connector



TECHNICAL DETAILS

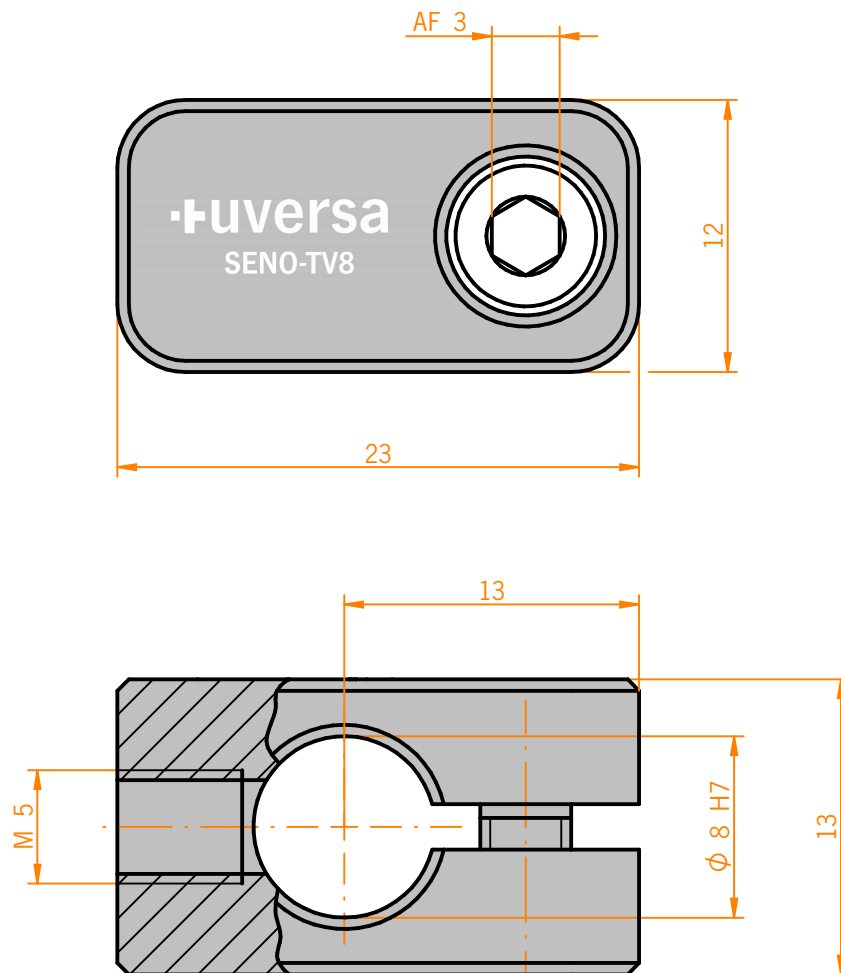
Material Aluminium (ground)

Surface Anodized ● black

Positional Tolerance $\pm 0,1$ mm
Bores

MODULE DESCRIPTION

Module to be attached on sensor shafts SENO-SW8 and SENO-SW12. This way, the column structure by means of sensor shaft SENO-SW8 can be extended in a right angle.



Customized items are available upon request.