

## **VIA-VSE8** Massive Column Stainless Steel

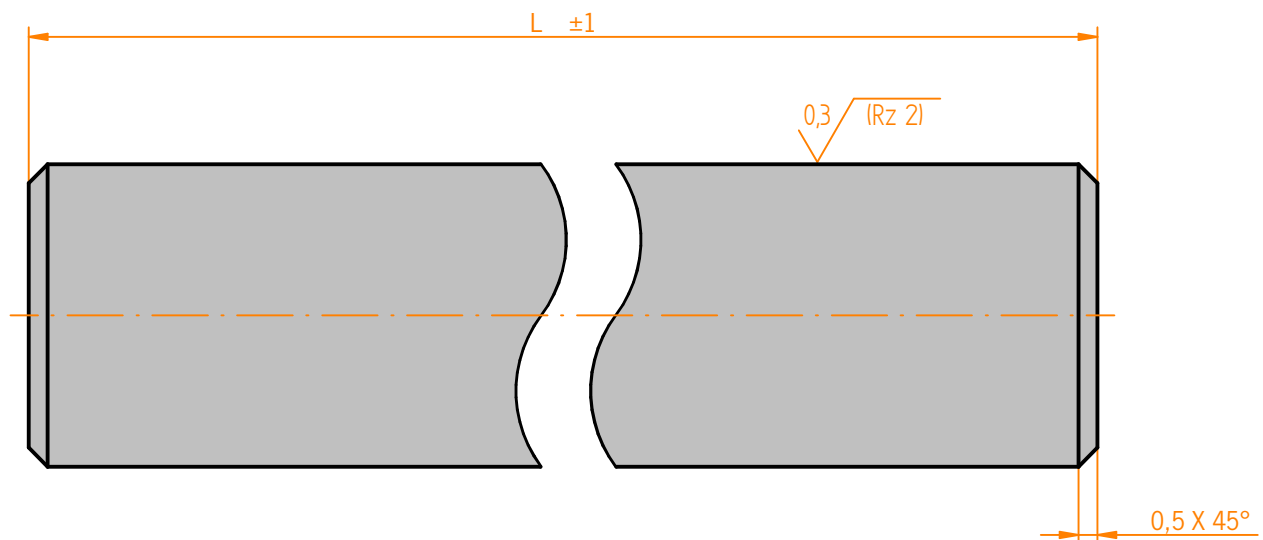
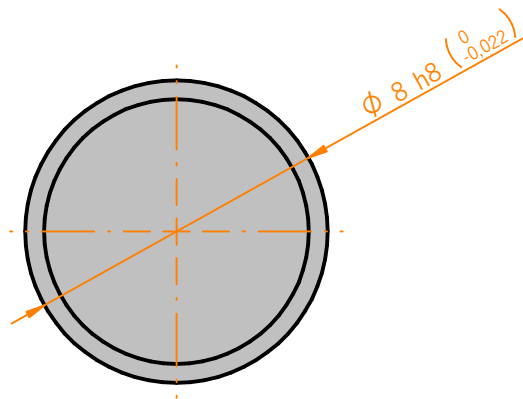


### TECHNICAL DETAILS

<b>Weight</b>	400g/m
<b>Material</b>	1.4305 (X8CrNiS18-9)
<b>Surface</b>	Ground, ends cut and chamfered

### MODULE DESCRIPTION

Only few elements are required to realize a great variety of structural configurations, by means of these columns made of special steel.



Customized items are available upon request.