

SENO-BSS8

Belt Pedestal Standard



TECHNICAL DETAILS

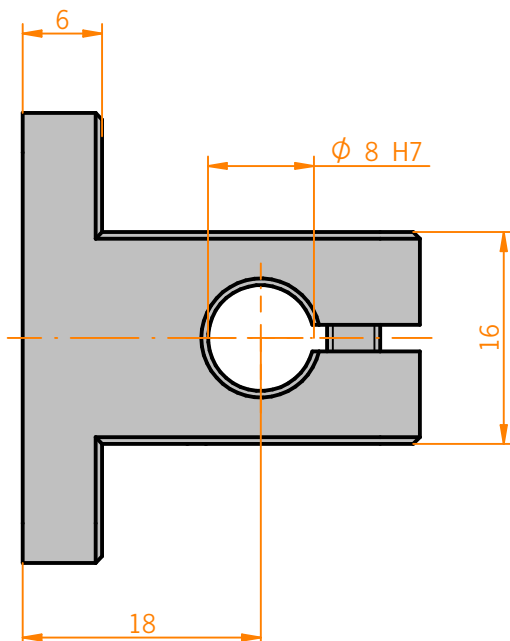
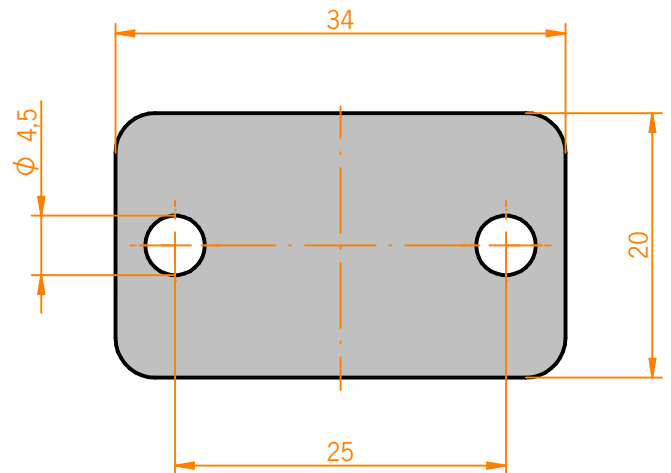
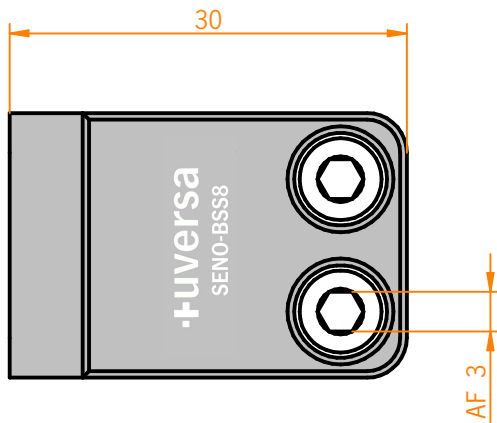
Material Aluminium (ground)

Surface Anodized ● black

Positional Tolerance ± 0,1 mm
Bores

MODULE DESCRIPTION

Pedestal with mounting bore as receptacle for one column, can be attached to belt systems or integrated in assemblies.



Customized items are available upon request.