

# +ELO-MH20

## Module Holder

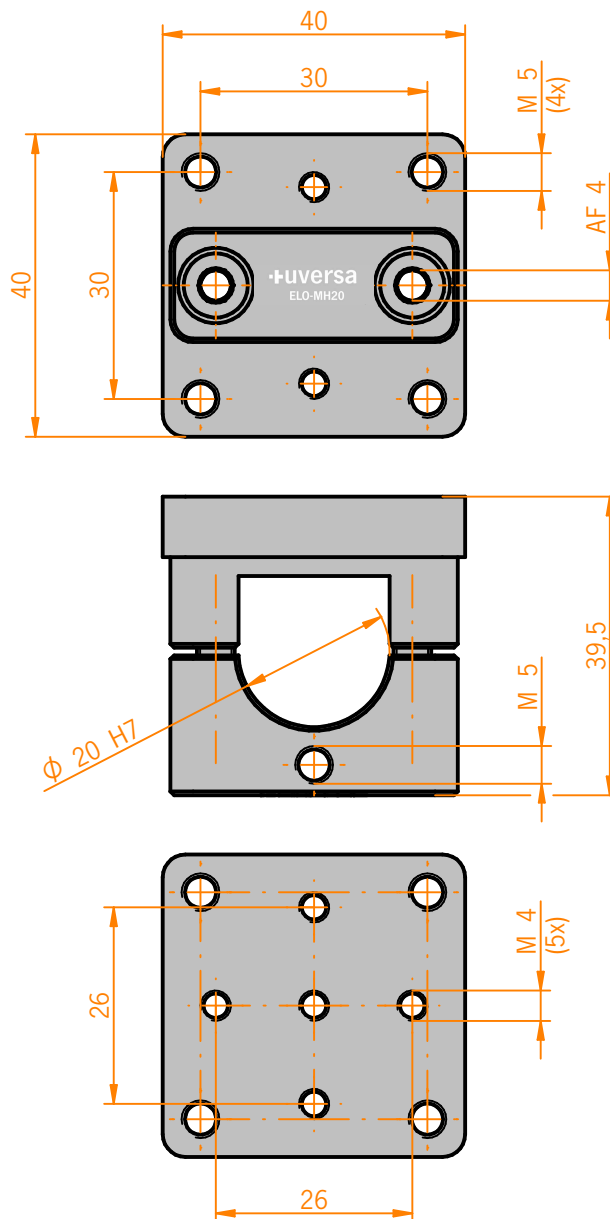


### TECHNICAL DETAILS

**Material** Aluminium (ground)  
**Surface** ● black  
**Positional Tolerance** ± 0,1 mm  
**Bores**

### MODULE DESCRIPTION

Module for attachment of additional elements like top-hat rails, cable ducts, control elements or adapter plates.



Customized items are available upon request.