

ELO-MH30

Module Holder

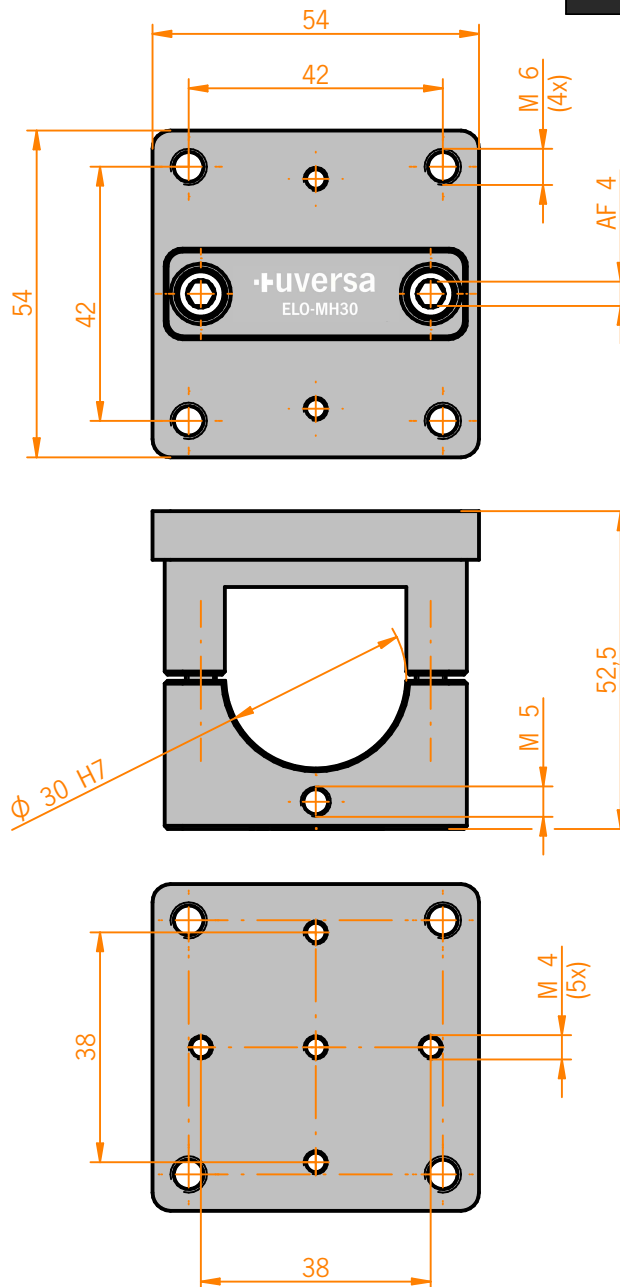


TECHNICAL DETAILS

Material Aluminium (ground)
Surface ● black
Positional Tolerance ± 0,1 mm
Bores

MODULE DESCRIPTION

Module for attachment of additional elements like top-hat rails, cable ducts, control elements or adapter plates.



Customized items are available upon request.