

EVO-DT5040

Dual-Traversal-Connector

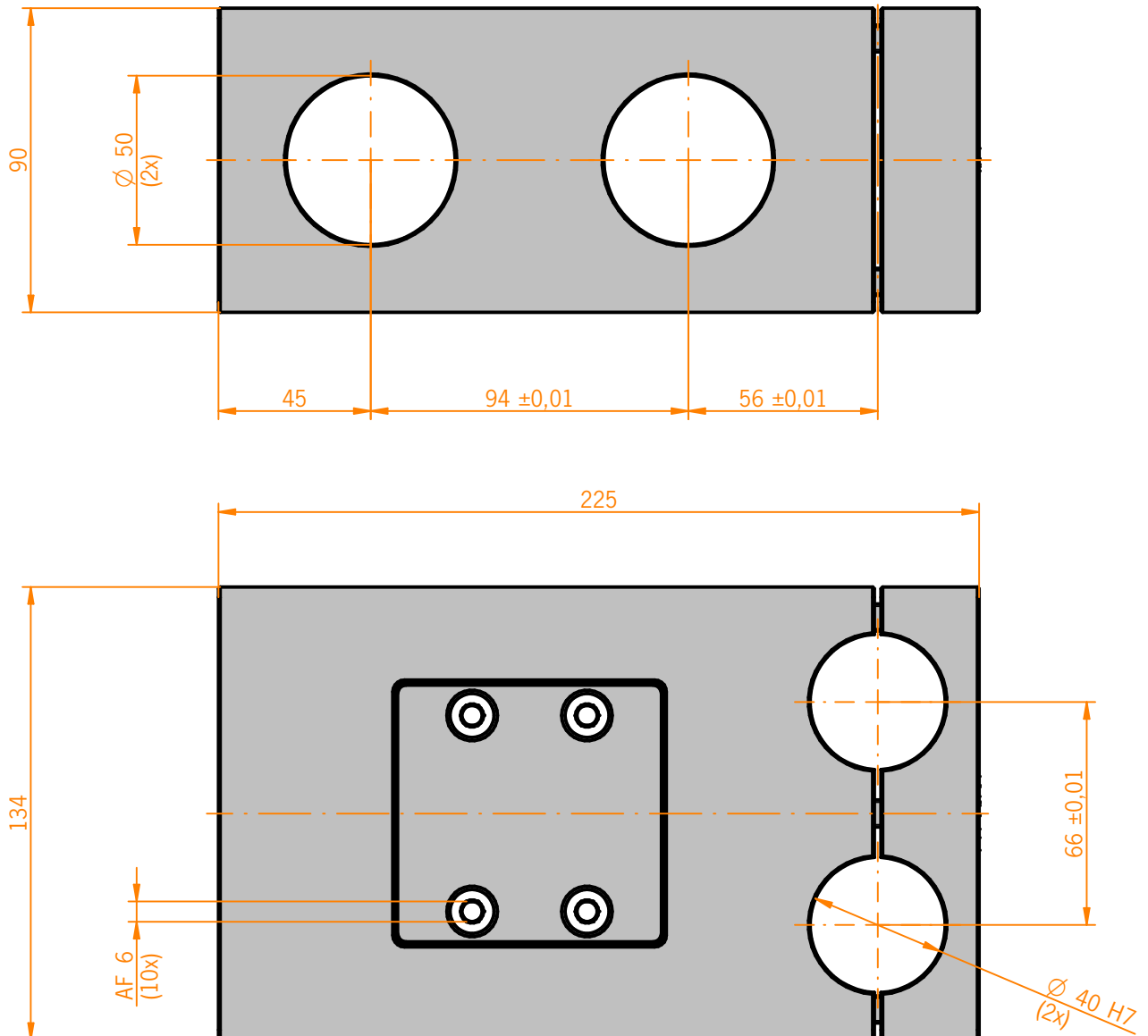


TECHNICAL DETAILS

Material	Aluminium (ground)
Surface	● black
Positional Tolerance Fitting Bores	± 0,01 mm
Positional Tolerance Bores	± 0,1 mm

MODULE DESCRIPTION

Module, acting as receptacle for columns of two different sizes, placed in rectangular orientation with respect to each other. The element is useful for construction of gantries.



Customized items are available upon request.